

Go to www.vtechbabycare.com to register your product for enhanced warranty support and the latest VTech product news.

RM5887HD

5" Smart Wi-Fi 1080p Over-the-Crib Monitor



For more support information



RM5887HD

vtech® Quick start guide

TECHNICAL SPECIFICATIONS

Transmit frequency	Baby unit: 2402 - 2480 MHz (cover all WiFi, FHSS, BLE) Max Transmit power is 10mW (cover all WiFi, FHSS, BLE) Parent unit: 2406 - 2475 Mhz Max Transmit power is 100mW
LCD	5" Color LCD (IPS 1280x720 pixels)
Nominal effective range	Maximum power allowed by FCC and IC. Actual operating range may vary according to environmental conditions at the time of use.
Power requirement	Baby unit power adapter: Output: 5V DC, 1.5A Parent unit power adapter: Output: 5V DC, 2A Parent unit battery: 3.7V 5000mAh, 18.5Wh Lithium-ion battery

Android™ and Google Play™ are trademarks of Google Inc.
App Store is a trademark of Apple Inc., registered in the U.S. and other countries.
IOS is a trademark or registered trademark of Cisco in the U.S. and other countries and is used under license.

IMPORTANT SAFETY INSTRUCTIONS

- The applied nameplate is located at the bottom of the baby unit base. When in use, basic safety precautions should always be followed to reduce the risk of fire, electric shock and injury, including the following:
- Adult setup is required.
 - CAUTION:** Do not install the baby unit at a height above 6.5 feet (2 meters).
 - This product is intended as an aid. It is not a substitute for responsible and proper adult supervision and should not be used as such.
 - This product is not intended for use as a medical monitor.
 - Do not use this product near water, for example, near to a bath, sink, swimming pool or shower.
 - CAUTION:** Use only the internal, non-user replaceable battery fitted to the parent unit. There may be a risk of explosion if a wrong type of battery is used for the parent unit. The battery cannot be subjected to high or low extreme temperature and low air pressure at high altitude during use, storage or transportation. Disposal of batteries in fire or a hot oven, mechanically crushing or cutting the battery can result in an explosion. Subjecting products or batteries to an extremely high temperature environment can result in explosion or leakage of flammable liquids, or gas. Products or batteries subjected to extremely low air pressures may result in explosion or leakage of flammable liquids, or gas. Dispose of used batteries according to the information in the **RBBC seal**.
 - Use only the power adapters supplied with this product. Incorrect power adapter polarity or voltage can seriously damage the product.

Power adapter information:

Baby Unit Output: 5V DC 1.5A
Vtech Telecommunications Ltd.
Model: VT07EUS05150

-QR-

Jiangxi Jian Aohai Technology Co., Ltd.
Model: A938-0S0150W-US1

Parent Unit Output: 5V DC 2A
Vtech Telecommunications Ltd.
Model: VT07EUS05200

-QR-

Jiangxi Jian Aohai Technology Co., Ltd.
Model: A938-0S0200W-US1

Rechargeable battery information:

3.7V 5000mAh, 18.5Wh Lithium-ion battery

Zhuohu Great Power Energy Co., Ltd.
Model: GSP806090-5Ah-3.7V-1S1P

- The power adapter is intended to be correctly oriented in a vertical or floor mount position. The prongs are not designed to hold the plug in place if it is plugged into a ceiling, under-the-table or cabinet outlet.
- For pluggable equipment, the socket-outlet (power adapter) should be installed near the equipment and should be easily accessible.
- Unplug this product from the wall outlet before cleaning. Do not use liquid or aerosol cleaners. Use a damp cloth for cleaning.
- Do not modify the power adapters or replace with other third-party adapters.
- Do not allow anything to rest on the power cords. Do not install this product where the cords may be walked on or damaged.
- The product should only be operated from a power source indicated on the power adapter label or marking. If you are unsure of the type of power supply in your home, consult your dealer or electricity supply provider.
- Do not overload wall outlets or use an extension cord.
- Do not place this product on an unstable table, shelf, stand or other unstable surfaces.
- This product should not be placed in any area where proper ventilation is not provided. Any slots or openings in the back or bottom of this product are provided for ventilation. To protect from overheating, openings must not be blocked by placing

SAVE THESE INSTRUCTIONS

- Caution**
- Use and store the product at a temperature between 32°F (0°C) and 104°F (40°C).
 - Mishandling batteries can cause burn, fire or explosion hazards. Batteries should not be exposed to excessive heat such as bright sunlight or fire.
 - Do not expose the product to extreme cold, heat or direct sunlight. Do not place the product close to a heating source.
 - Warning—Strangulation Hazard—Children have STRANGLED in cords. Keep this cord out of the reach of children (more than 3 ft (0.9m) away). Do not remove warning label on the adapter cord.**
 - Never place the baby unit(s) inside the baby's crib or playpen. Never cover the baby unit(s) or parent unit with anything such as a towel or a blanket.
 - Other electronic products can cause interference to your parent unit and baby unit. Try installing your baby unit as far away as possible from the following electronic devices: wireless routers, radios, mobile telephones, intercoms, room monitors, televisions, personal computers, kitchen appliances (e.g. microwave ovens) and cordless telephones.

Precautions for users of implanted cardiac pacemakers

Cardiac pacemakers (applies only to digital cordless devices): Wireless Technology Research, LLC (WTR), an independent research entity, led a multidisciplinary evaluation of the interference between portable wireless devices and implanted cardiac pacemakers. Supported by the U.S. Food and Drug Administration, WTR recommends to physicians that:

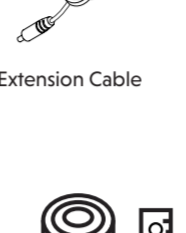
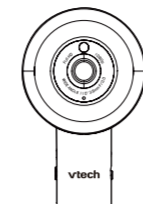
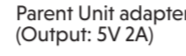
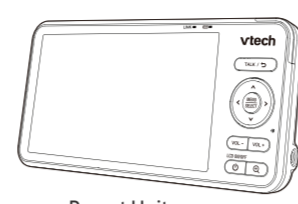
- Pacemaker patients**
- Should keep wireless devices at least six inches from the pacemaker.
 - Should NOT place wireless devices directly over the pacemaker, such as in a breast pocket, when it is turned ON.
 - WTR's evaluation did not identify any risk to bystanders with pacemakers from other persons using wireless devices.

Electromagnetic fields (EMF)

This Vtech product complies with all standards regarding electromagnetic fields (EMF), if handled properly and according to the instructions in this user's manual, the product is safe to be used based on scientific evidence available today.

WHAT'S IN THE BOX

Your baby monitor package contains the following items. Save your sales receipt and original packaging in the event warranty service is necessary.

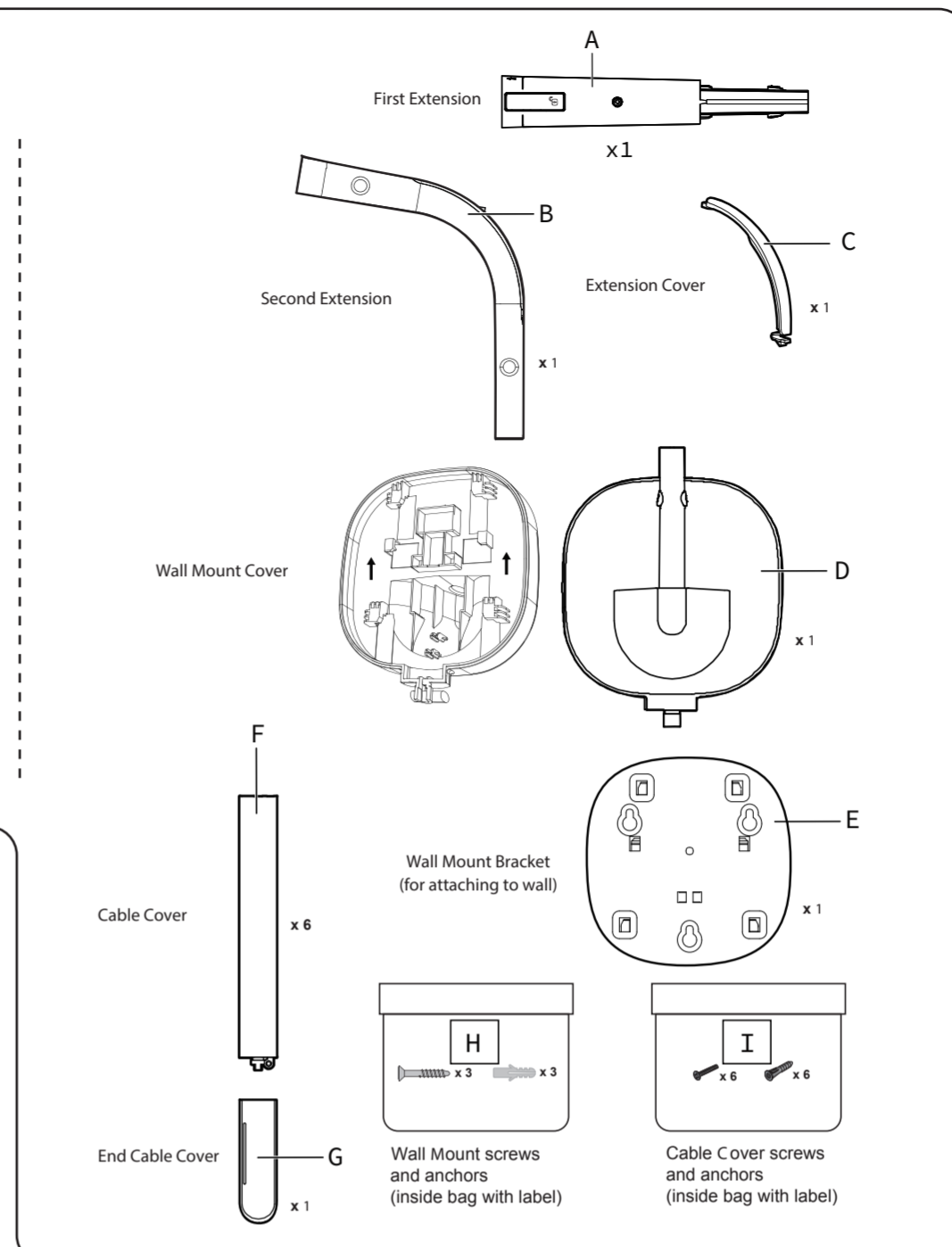


Requirements

For mobile access:

MyVTech Baby Plus mobile app

Network	Wi-Fi
Wi-Fi router	2.4GHz 802.11 b/g/n
Internet connection	1.5 Mbps @ 720p or 2.5 Mbps @1080p upload bandwidth per baby unit



INSTALL THE WALL MOUNT

Tip: You can also install your monitor when your crib is away from a wall with the OTC-Floorstand, available separately for purchase. This versatile floor stand allows you to effortlessly locate your camera without securing to a wall.

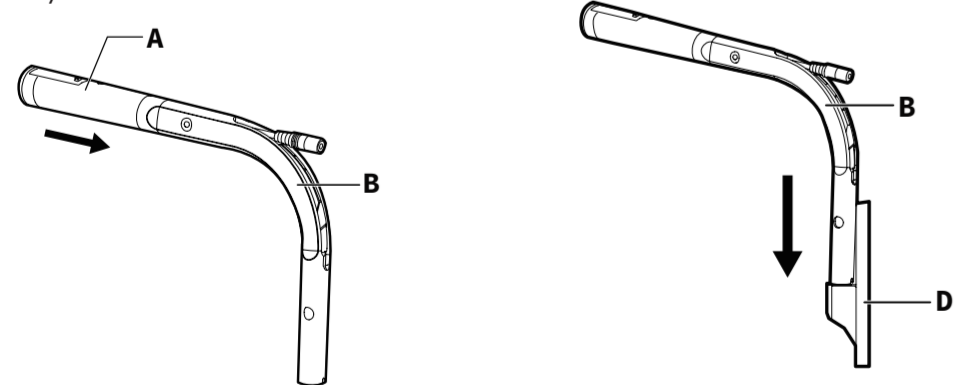
Caution:

- The wall mount should be installed 3ft (1m) above the bed sheet or baby level and 1.7m above the floor. The mounting template/measure supplied can be used for placement measurement.
- The Wall Mount should be installed on a wall at the long side of the crib.



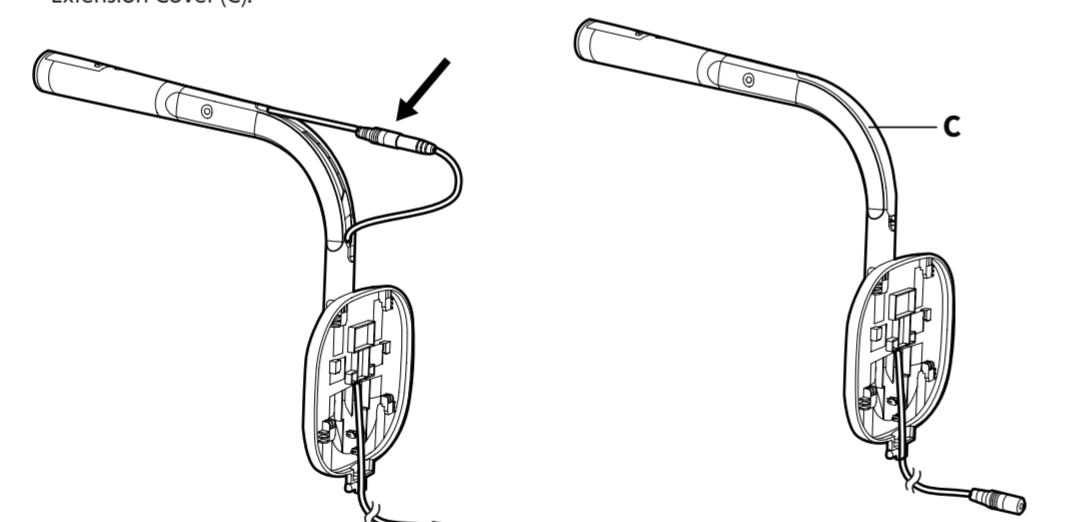
Scan QR code to watch wall mount installation video.

- Insert the First extension (A) onto the Second Extension (B), ensuring that the slot is correctly aligned. Make sure the DC socket protrudes from the opening of the Second Extension and is ready for connection.
- Insert the Second Extension (B) onto the Wall Mount Cover (D), ensuring that the slot is correctly aligned.

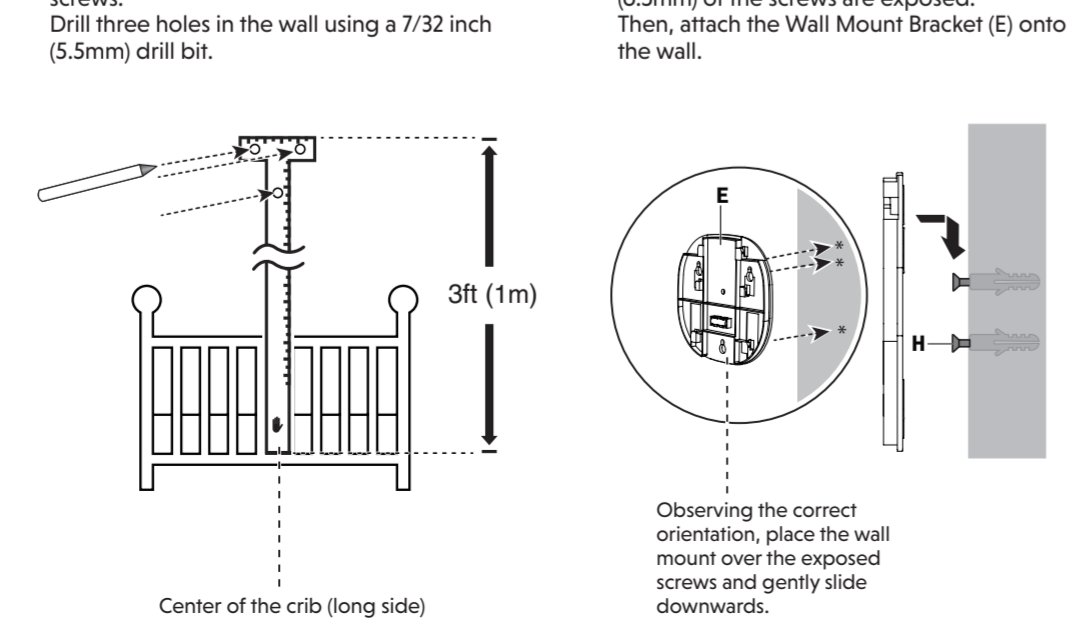


- Insert the plug end of the Extension Cable through the back of the Wall Mount Cover (D) until it emerges from the opening of the Second Extension (B).

- Insert the Extension Cable plug into the DC socket, then secure the cable with the Extension Cover (C).

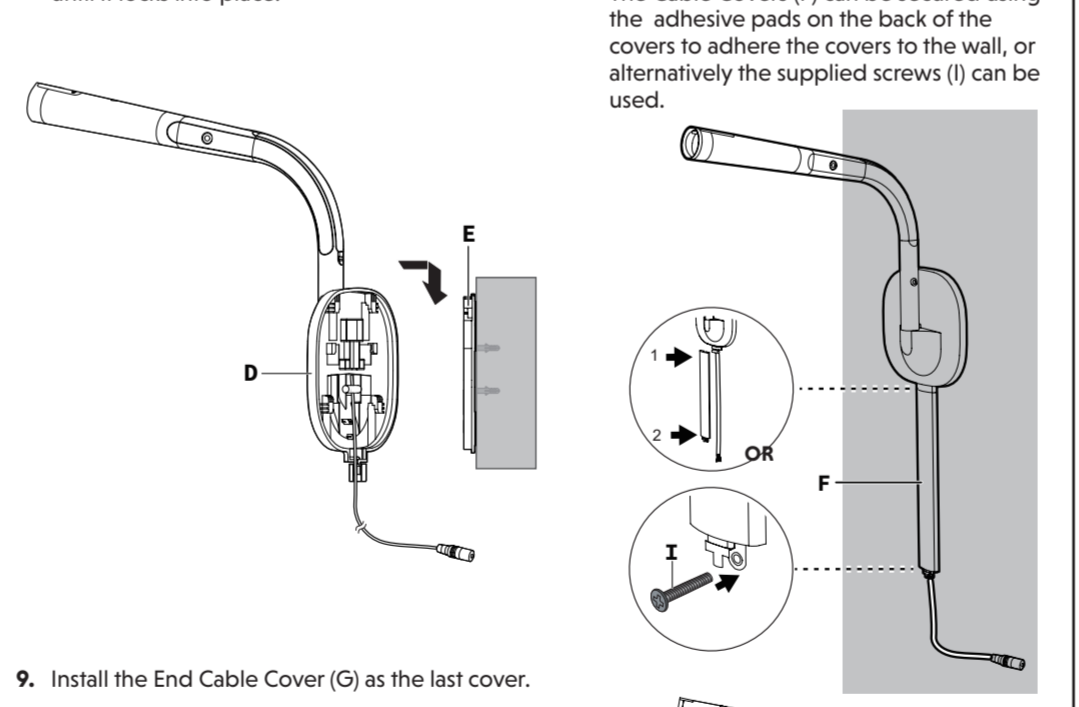


- Use the supplied Mounting Template/Measure to correctly locate the Wall Mount and mark the 3 mounting holes for the screws.
- Drill three holes in the wall using a 7/32 inch (5.5mm) drill bit.

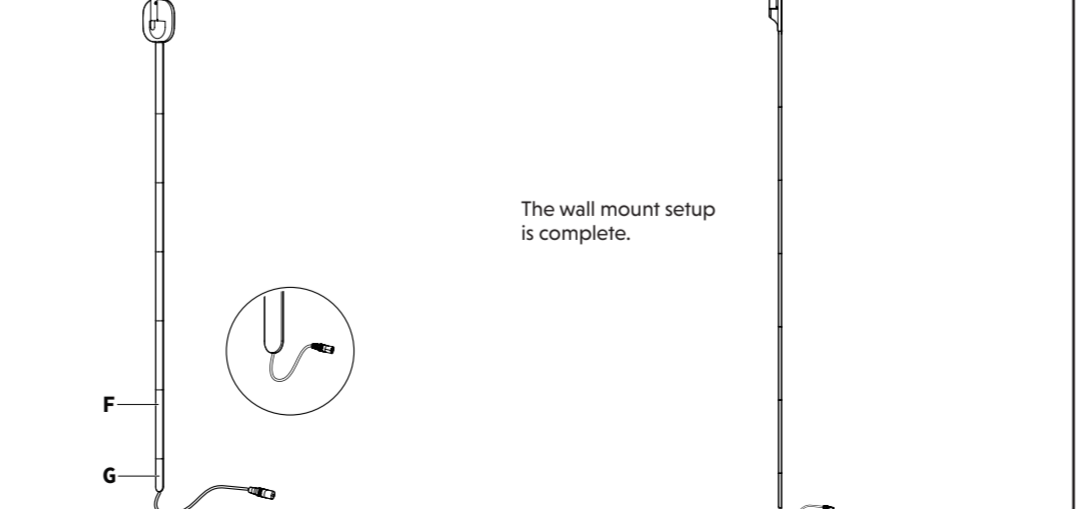


Observing the correct orientation, place the wall mount over the exposed screws and gently slide downwards.

- Place the Wall Mount Cover (D) on the Wall mount bracket (E), and then slide downwards until it locks into place.
- Install the Cable Covers (F) to prevent baby from touching the cable. The Cable Covers (F) can be secured using the adhesive pads on the back of the covers to adhere the covers to the wall, or alternatively the supplied screws (I) can be used.



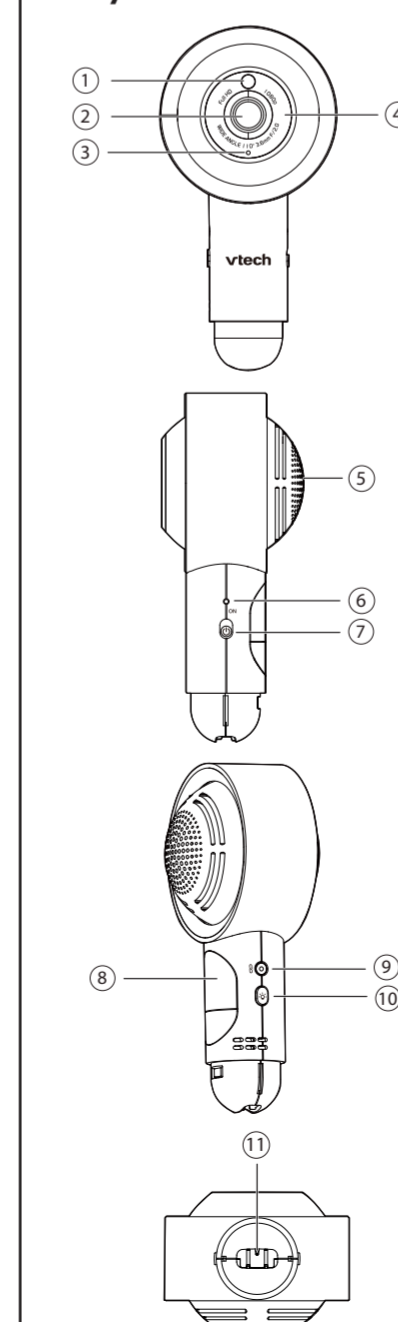
- Install the End Cable Cover (G) as the last cover.



The wall mount setup is complete.

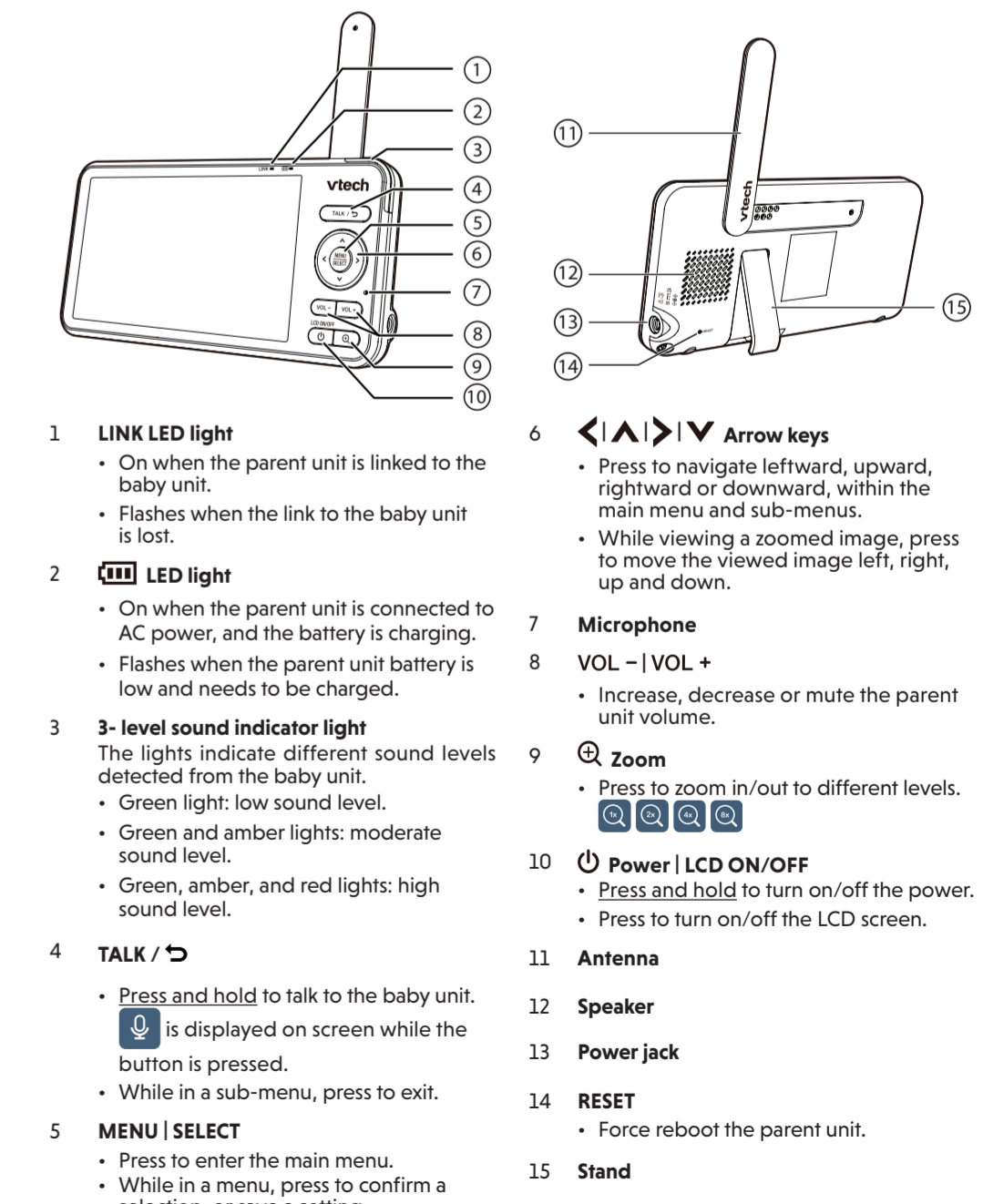
OVERVIEW

Baby unit overview



- Light sensor**
- Camera lens**
- Microphone**
- Infrared LEDs**
 - Allow you to see clearly in a dark environment.
- Speaker**
- LED indicator**
 - Set to off by default. You can turn it on using the app (Setting > Camera Setting > LED status).
 - In direct mode:
 - Orange is steadily on when the baby unit is connecting to the parent unit.
 - Orange flashes slowly during video streaming.
 - In Wi-Fi mode:
 - Green is steadily on when the baby unit is connected to Wi-Fi.
 - Green flashes slowly during video streaming to Wi-Fi.
- ON/OFF switch**
 - Power it on or off.
- Night light**
- Link**
 - To enter pairing mode, press and hold the **PAIR** key for three seconds until you hear a beep sound. Then follow the app instructions to connect the camera to a 2.4GHz Wi-Fi network.
 - To reset the baby unit, press and hold the **PAIR** key until you hear a beep sound. Release the **PAIR** key, then short press the **PAIR** key five more times until you hear another beep sound. The baby unit will emit one final beep when the reset is complete. After the beep sound, the baby unit will reboot itself.
- Night light switch**
 - Press to turn the night light on or off.
- Power connector**

Parent unit overview



- LINK LED light**
 - On when the parent unit is linked to the baby unit.
 - Flashes when the link to the baby unit is lost.
- LINK LED light**
 - On when the parent unit is connected to AC power, and the battery is charging.
 - Flashes when the parent unit battery is low and needs to be charged.
- 3-level sound indicator light**
 - The lights indicate different sound levels detected from the baby unit.
 - Green light: low sound level.
 - Green and amber lights: moderate sound level.
 - Green, amber, and red lights: high sound level.
- TALK /**
 - Press and hold to talk to the baby unit. is displayed on screen while the button is pressed.
 - While in a sub-menu, press to exit.
- MENU | SELECT**
 - Press to enter the main menu.
 - While in a menu, press to confirm a selection, or save a setting.
- Arrow keys**
 - Press to navigate leftward, upward, rightward or downward, within the main menu and sub-menus.
 - While viewing a zoomed image, press to move the viewed image left, right, up and down.
- Microphone**
- VOL - | VOL +**
 - Increase, decrease or mute the parent unit volume.
- Zoom**
 - Press to zoom in/out to different levels.
- Power | LCD ON/OFF**
 - Press and hold to turn on/off the power.
 - Press to turn on/off the LCD screen.
- Antenna**
- Speaker**
- Power jack**
- RESET**
 - Force reboot the parent unit.
- Stand**

DOWNLOAD APP FOR MOBILE ACCESS

Use the **MyVTech Baby Plus** on your mobile device to monitor your baby remotely. Follow the instructions below to set up and pair your baby monitor with the app.



- Scan the QR code to download the free **MyVTech Baby Plus** mobile app, or search "MyVTech Baby Plus" on App Store or Google Play Store. If you have previously installed the app, ensure that you have the latest version.

NOTE

- Make sure your mobile device meets the minimum requirement for the mobile app.

Minimum requirement

The mobile app is compatible with:

- Android™ 9.0 or later (Not compatible with mobile devices with a 32-bit Android operating system); and
- iOS 14 or later.



- Tap to launch the mobile app on your device and create an account.
- We recommend that you use common webmail services, such as Google Gmail, to register your user account. Check your email (including the Spam folder) and activate your new account by entering the email verification code. Then, sign in to your account.
- Ensure that you are connected to a **2.4GHz Wi-Fi network** and have enabled **Bluetooth** and **Location Service** on your device.
- After signing in to the app, select **Camera(s) with Parent unit** and scan the QR code displayed on the parent unit. To find the QR code, press the **MENU/SELECT** button and go to > > **Connect to Mobile App**.
- Input the Wi-Fi password.
- Press and hold the pair key on the baby unit for 3 seconds until you hear the beep sound to enter pairing mode.
- Select the camera model that appears in the app and wait for the camera to connect. Once connected, it will display a live view preview.
- Select "**Continue**" and create a profile for your baby (Optional). Now you can start monitoring!

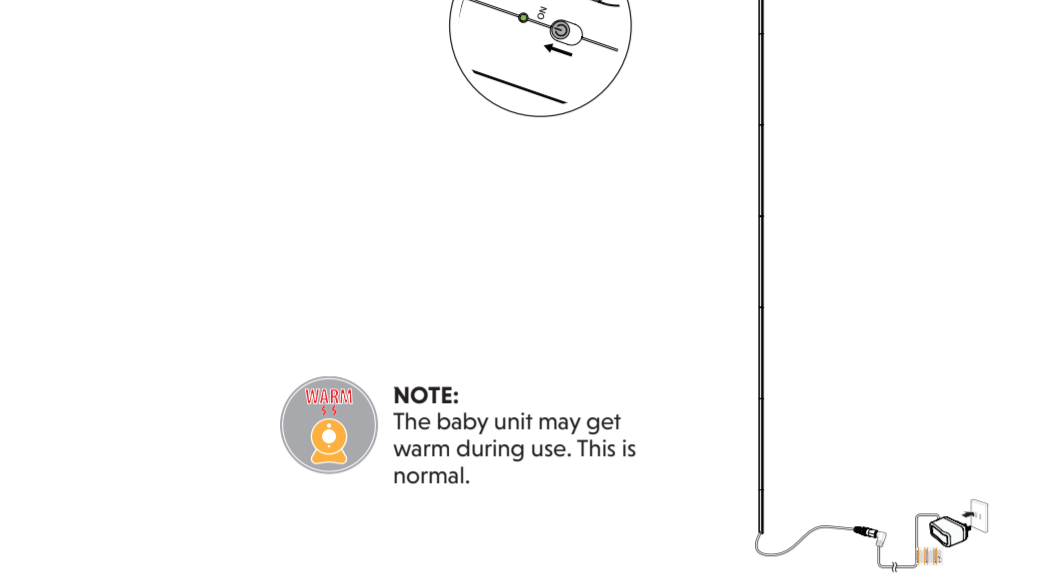
- Tip**
- Use **Camera Sharing** to instantly share access to the camera. Follow these steps:
- Go to **Menu** and select **Camera Sharing**.
 - Choose "**Invite People**" and enter the name and email address of the family member's app account.
 - The family member will receive a pop-up notification in the app and can accept the invitation to access the camera(s).

INSTALL AND POWER ON THE BABY UNIT

Installation with wall mount

Refer to INSTALL THE WALL MOUNT section to complete the assembly of the wall mount, then insert the baby unit power connector into the First Extension (A) of the wall mount, and the power adapter plug into the DC socket of the Extension Cable and a power supply.

Slide the switch to **ON** to power your baby unit on.



- #### NOTES
- Peel off the lens and screen protectors before use.
 - Charge the parent unit battery for 12 hours before use.
 - After powering up, the baby unit status LED illuminates green. It will then turn off after a short while and remain off if set to off.
 - The status LED is set to off by default. You can turn it on using the app (Setting > Camera Setting > LED status).
 - A steady orange light with no video or audio streaming can indicate a fault condition.

NIGHT VISION

The baby unit has infrared LEDs that allow you to see your baby clearly at night or in a dark room. When the baby unit detects low light levels, the infrared LEDs are switched on automatically. The images from the baby unit are in black and white, and appears on the parent unit screen.

- #### NOTES
- A **click sound** from the baby unit is normal and occurs when your unit adapts to the environment lighting conditions.
 - To achieve accurate and high quality video, your baby unit is equipped with an Infrared cut-off filter lens that optimizes color accuracy in bright, day-time environments. When the environment turns dark at night, this filter lens is withdrawn to enhance night vision quality. The brief **click sound** you hear is from the filter lens activating/deactivating as the unit switches from day to night vision (and vice versa).
- Tip**
- Depending on the surroundings and other interfering factors, for example, lighting, objects, colors and backgrounds, the image quality may vary. Adjust the camera angle to prevent glare and a blurred display.

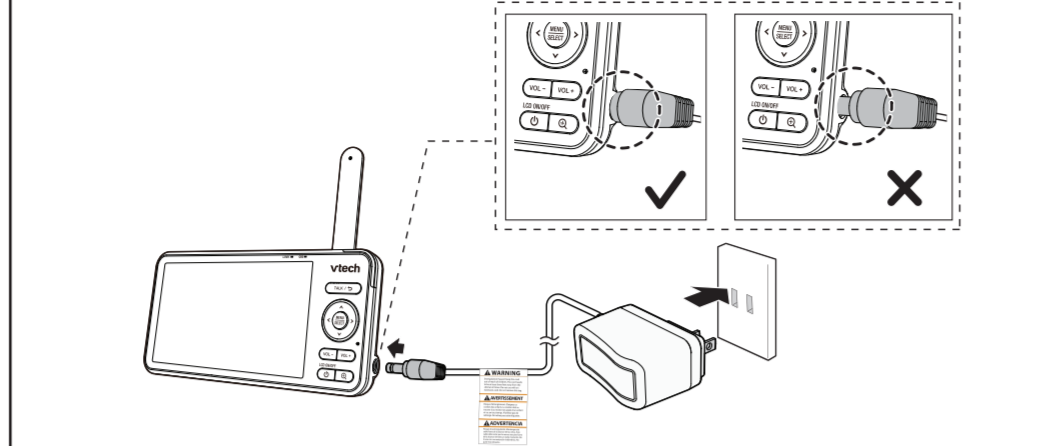
NEED HELP?

- Driven by system updates, the software, online help, and online FAQs will be updated periodically.
- For operations and guides to help you using your HD video monitor, and for latest information and supports, go and check the online help topics and online FAQs.
- Use your smartphone or mobile device to access our online help.
- Go to <https://help.vtechphones.com/rm5887hd>, OR
 - Scan the QR code on the right. Launch the camera app or QR code scanner app on your smartphone or tablet. Hold the device's camera up to the QR code and frame it. Tap the notification to trigger the redirection of the online help.
- If the QR code is not clearly displayed, adjust your camera's focus by moving your device closer or further away until it is clear.
- If you would like to contact us, visit <https://help.vtechphones.com/cs>. You can also call our Customer Support at 1 (800) 595-9511 [in US] or 1 (800) 267-7377 [in Canada] help.



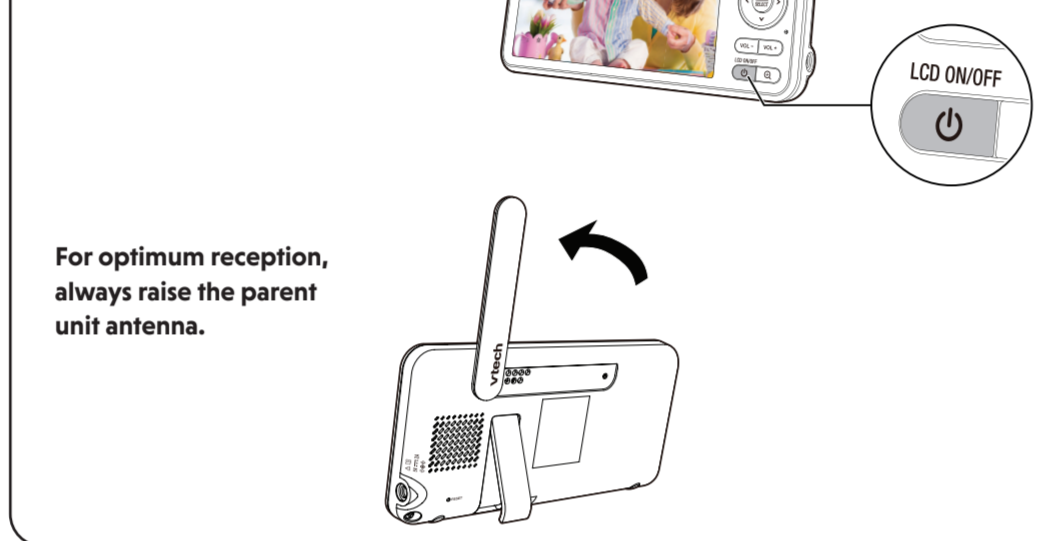
CONNECT AND POWER ON THE PARENT UNIT

Connect the baby monitor



Power on the parent unit

The parent unit turns on automatically after connection to the power socket, and the welcome screen appears. You can **press and hold** **Power** to turn the parent unit on or off.



For optimum reception, always raise the parent unit antenna.

THE RBRC SEAL

The RBRC seal on the lithium-ion battery indicates that VTech Communications, Inc. is voluntarily participating in an industry program to collect and recycle these batteries at the end of their useful lives, when taken out of service within the United States and Canada. The program provides a convenient alternative to placing used lithium-ion batteries into the trash or municipal waste, which may be illegal in your area.

VTech's participation makes it easy for you to drop off the spent product at local retailers participating in the program or at authorized VTech product service centers. Please call **1 (800) 8 BATTERY** for information on Li-ion battery recycling and disposal bans/restrictions in your area. VTech's involvement in this program is part of its commitment to protecting our environment and conserving natural resources.

The RBRC Seal and **1 (800) 8 BATTERY** are registered trademarks of Call2recycle, Inc.

FCC Part 15 AND IC REGULATIONS

FCC Part 15

NOTE: This equipment has been tested and found to comply with the requirements for a Class B digital device under Part 15 of the Federal Communications Commission (FCC) rules. These requirements are intended to provide reasonable protection against harmful interference in a residential installation. This equipment generates, uses and can radiate radio frequency energy and, if not installed and used in accordance with the instructions, may cause harmful interference to radio communications. However, there is no guarantee that interference will not occur in a particular installation. If this equipment does cause harmful interference to radio or television reception, which can be determined by turning the equipment off and on, the user is encouraged to try to correct the interference by one or more of the following measures:

- Reorient or relocate the receiving antenna.
- Increase the separation between the equipment and receiver.
- Connect the equipment into an outlet on a circuit different from that to which the receiver is connected.
- Consult the dealer or an experienced radio/TV technician for help.

WARNING: Changes or modifications to this equipment not expressly approved by the party responsible for compliance could void the user's authority to operate the equipment.

This device complies with Part 15 of the FCC rules. Operation is subject to the following two conditions: (1) this device may not cause harmful interference, and (2) this device must accept any interference received, including interference that may cause undesired operation.

To ensure safety of users, the FCC has established criteria for the amount of radio frequency energy that can be safely absorbed by a user or bystander according to the intended usage of the product. This product has been tested and found to comply with the FCC criteria. The baby unit shall be installed and used such that parts of all persons' body are maintained at a distance of approximately 8 in (20 cm) or more. The transmitter and antenna of the parent unit shall be held at least 1 in (2.5 cm) from your face.

This Class B digital apparatus complies with Canadian requirement: CAN ICES-3 (B)/NMB-3(B)

Industry Canada

This device contains licence-exempt transmitter(s)/receiver(s) that comply with Innovation, Science and Economic Development Canada's licence-exempt RSS(s). Operation is subject to the following two conditions: (1) This device may not cause interference. (2) This device must accept any interference, including interference that may cause undesired operation of the device.

The term "IC" before the certification/registration number only signifies that the Industry Canada technical specifications were met. This product meets the applicable Innovation, Science and Economic Development Canada technical specifications.

RF radiation exposure statement

The product complies with FCC RF radiation exposure limits set forth for an uncontrolled environment. The baby unit should be installed and operated with a minimum distance of 8 in (20 cm) between the baby unit and all persons' body. Use of other accessories may not ensure compliance with FCC RF exposure guidelines. This equipment complies also with Industry Canada RSS-102 with respect to Canada's Health Code 6 for Exposure of Humans to RF Fields.

CALIFORNIA ENERGY COMMISSION BATTERY CHARGING TESTING MODE

This video monitor meets the California Energy Commission (CEC) regulations for energy consumption. Your video monitor is set up to comply with the energy-conserving standards right out of the box.

Follow the instructions to install and charge the battery. The CEC battery charging testing mode is activated while charging. Even if the parent unit is paired to camera units, the CEC battery charging testing mode is activated while it is powered off and charging.

PARENT UNIT ICONS

Main Menu	Sub-menu	Options
		On/Off <ul style="list-style-type: none">Toggle the night light on or off. Color <ul style="list-style-type: none">Select a night light color.Customized color is available if your baby unit is paired with MyVtech Baby Plus app. Brightness <ul style="list-style-type: none">Adjust the night light brightness.Set the brightness to AUTO adaptive ambience. Timer <ul style="list-style-type: none">Set the timer to turn the night light off after 15, 30 or 60 minutes, or always on.
		Play/Stop <ul style="list-style-type: none">Toggle between play and stop. Library <ul style="list-style-type: none">Select to play all melodies, or play one of the five melodies or five soothing sounds. Camera Volume <ul style="list-style-type: none">Adjusts baby unit speaker volume. Timer <ul style="list-style-type: none">Set the timer to stop playing after 15, 30 or 60 minutes, or play non-stop.
		Connect to Mobile App <ul style="list-style-type: none">Instructions for adding baby unit to mobile app. Camera Volume <ul style="list-style-type: none">Adjusts baby unit speaker volume. Screen Brightness <ul style="list-style-type: none">Adjusts parent unit screen brightness. Temperature Format <ul style="list-style-type: none">Set the temperature display format between Celsius or Fahrenheit. Other <ul style="list-style-type: none">Time Settings (available if your baby unit is paired with MyVtech Baby Plus app), Reset Settings, Software Update.
		Screen Off Timer <ul style="list-style-type: none">Turn the screen off timer OFF, or set the screen to turn off after 1, 3 or 5 minutes when no sound is detected.Select the Sound Sensitivity level for the screen to auto turn on when a sound level is detected that is higher than the set level. The screen will turn off after 50 seconds of no sound detection. Alerts Settings <ul style="list-style-type: none">Adjusts the alert tone volume level. Motion Detect <ul style="list-style-type: none">Turn the motion detection alert on/off.Adjust Motion Sensitivity level for waking the parent unit screen. Temperature <ul style="list-style-type: none">Turn the temperature alert on or off.Select the temperature alert maximum and minimum temperature limits. Humidity <ul style="list-style-type: none">Turn the humidity detection alert on/off.Select the humidity alert maximum and minimum humidity limits. Low Battery <ul style="list-style-type: none">Toggle the low battery alert on or off. Lost Link <ul style="list-style-type: none">Toggle the lost link alert on or off.
		Help <ul style="list-style-type: none">Support Information How-to Video <ul style="list-style-type: none">Support video System Info <ul style="list-style-type: none">System Information

PROTECT YOUR PRIVACY AND ONLINE SECURITY

VTech cares about your privacy and peace of mind. That's why we've put together a list of industry-recommended best practices to help keep your wireless connection private and your devices protected when online. We recommend you carefully review and consider complying with the following tips.

Ensure your wireless connection is secure.

- Before installing a device, ensure your router's wireless signal is encrypted by selecting the "WPA2-PSK with AES" setting in your router's wireless security menu.
- Change default settings.
- Change your wireless router's default wireless network name (SSID) to something unique.
- Change default passwords to unique, strong passwords. A strong password:
 - Is at least 10 characters long.
 - Is complex.
 - Does not contain dictionary words or personal information.
 - Contains a mix of uppercase letters, lowercase letters, special characters and numbers.
- Keep your devices up to date.
- Download security patches from manufacturers as soon as they become available. This will ensure you always have the latest security updates.
- If the feature is available, enable automatic updates for future releases.
- Disable Universal Plug and Play (UPnP) on your router.
- UPnP enabled on a router can limit the effectiveness of your firewall by allowing other network devices to open inbound ports without any intervention or approval from you. A virus or other malware program could use this function to compromise security for the entire network.

For more information on wireless connections and protecting your data, please review the following resources from industry experts:

- Federal Communications Commission: Wireless Connections and Bluetooth Security Tips – www.fcc.gov/consumers/guides/how-protect-yourself-online.
- U.S. Department of Homeland Security: Before You Connect a New Computer to the Internet – www.us-cert.gov/ncas/tips/STIS-003.
- Federal Trade Commission: Using IP Cameras Safely – <https://www.consumer.ftc.gov/articles/0382-using-ip-cameras-safely>.
- Wi-Fi Alliance: Discover Wi-Fi Security – <http://www.wi-fi.org/discover-wi-fi-security>.

Status icons	Status icons

HOW THE SYSTEM WORKS

Tip To receive product firmware updates, this baby monitor requires connecting to a 2.4GHz home Wi-Fi network.

Direct mode

Your baby monitor parent unit and baby unit connect to each other in **Direct mode** by default, which allows you to immediately stream video out of the box.



Wi-Fi mode

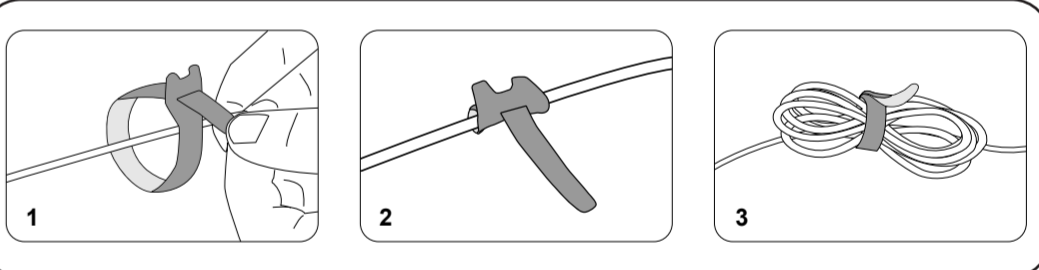
To enhance your experience and enjoy seamless live video streaming via your mobile app, and to receive product software updates (when available), we highly recommend setting up your monitor's Wi-Fi connection.

It uses your 2.4GHz home Wi-Fi network to connect your video monitor and supports live video streaming through the mobile app.

To stream live video remotely with your mobile phone, download and install the **MyVtech Baby Plus** mobile app. With the mobile app, your Wi-Fi router (not included) provides Internet connectivity to your HD video monitor system. It serves as a communication channel between your baby unit and mobile device, allowing you to monitor and/or control your baby unit wherever you are. For more details, see **Download app for mobile access** section in this quick start guide.



CABLE MANAGEMENT



GENERAL PRODUCT CARE

- To keep this product working well and looking good, follow these guidelines:
- Avoid placing near heating appliances and devices that generate electrical noise (for example, motors or fluorescent lamps).
 - DO NOT expose to direct sunlight or moisture.
 - Avoid dropping the product or treating it roughly.
 - Clean with a soft damp cloth.
 - DO NOT immerse the parent unit or the baby unit in water and do not clean under running water.
 - DO NOT use solvents, household cleaning sprays, or liquid cleaners.
 - Make sure the parent unit and the baby unit are dry before reconnecting to the mains supply.
 - When you are not going to use the video monitor for some time, store the parent unit, the baby unit and the adapters in a cool, dry place.

DISCLAIMER AND LIMITATION OF LIABILITY

VTech Communications, Inc. and its suppliers assume no responsibility for any damage or loss resulting from the use of this user's manual. VTech Communications, Inc. and its suppliers assume no responsibility for any loss or claims by third parties that may arise through the use of this product.

Company: VTech Communications, Inc.
Address: 9020 SW Washington Square Road - Ste 555 Tigard, OR 97223, United States
Phone: 1 (800) 595-9511 in the U.S. or 1 (800) 267-7377 in Canada

Our products are NOT medical devices. They are not intended for use as medical devices or to replace medical devices. They should not be relied upon for any type of clinical monitoring. They are not designed to and are not intended to diagnose, treat, cure, mitigate, alleviate or prevent any disease or other condition, including but not limited to, sudden infant death syndrome (SIDS).

Our products are only intended to assist you in tracking your baby's general sleep patterns. False positive or false negative readings about your baby's sleep patterns are a potential risk of our products. Our products are not a substitute for medical consultation and treatment or adult supervision and care.

